

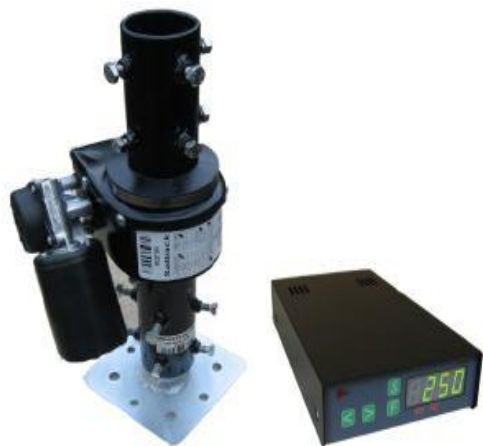
# RAU

## Light / Medium Duty Azimuth Rotator

Complexity is reduced to a minimum by utilizing a simple double worm gear drive

\* 13.8 to 18 volts DC.

\* Position readout is sensed by a reed switch.



Ideal for:

- Most standard beam antennas
- 3 - 4 element Tri-bander
- Short boom 6 metre beams
- 2 Meter and 70 cm beams
- Portable / Rover or Fixed operation

Works with all Alfa controllers  
Standard Rot1 or MD-01/02

Low Voltage - DC motor, Worm Drive,  
high torque.

Uses inexpensive 4 conductor low voltage cable.

Able to work long runs > 600 m (~2000 ft)

Remote relay operation possible.

Sealed reed switch sensor technology for reliable all weather readout. (no potentiometers to fail)

Rated for light loads even when mounted outside the tower.

Designed for simple mounting to ~50 mm (2.0") pipe mast - both ends.

Adapters available to mate with common rotator bolt patterns.

\* Tests made without controller. Values are approximate and subject to change.



## Rot1Prog Controller

Manual, Automatic, Scanning and Programmable modes.

Digital readout with 1 degree resolution.

Large easy to read soft green LED display.

Computer USB interface ability included.

Low voltage operation from any 13.8 to 18 volt source (typically 2-5 amps).

Easy to interface computer control, open protocol.

Ideal for camping, DX'peditions, VHF/UHF Roving, Portable, Disaster and Field Day operations. Can be zeroed at any position to allow for installation inaccuracy or antenna mount slippage.

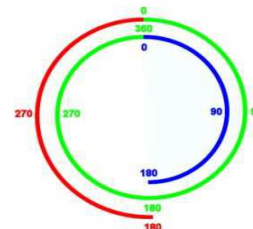
Generous over travel (+/-180) with electronic limits. Total of 720 Degree.

Programmable limits ideal for side mount applications.

Small front panel to simplify stacking several units takes up less valuable space.

Mouse control with 6 user programmable presets. Works with most Logging programs.

Normal 360  
- 180  
or  
+540 from  
North 0  
for  
total of 720



## RAU Specifications

Torque Voltage dependent

13.8 volts ~158 N m 1400 lb in.

Rotation speed ~100 sec for 360 Degree.

18 volts ~203 N m 1800 lb in.

Rotation speed ~50 sec for 360 Degree.

1 degree positioning resolution-

Tight tolerances for minimal play

Double worm drive

Quiet & powerful self brake action

Heavy duty bearings

Pipe to pipe mount

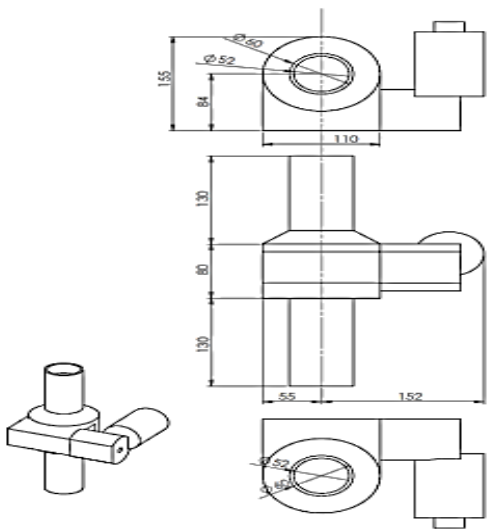
Overall height ~355 mm (13.9 in)

Top pipe opening ~50 mm (2.0 in)

Bottom pipe opening ~50 mm (2.0 in)

Centre to widest point is ~125 mm (4.9 in)

Real steel housing & final gear drive



**ROTOR RAU**  
Dimension: mm

Owned & Operated  
by Amateur Radio Operators

We Are, We Know,  
We do Communication  
World Wide Without Wires!

Rotating Around



The World

Alfa Radio Ltd. 11211 154 Street  
Edmonton, AB. Canada T5M 1X8

Phone: 780-466-5779

[www.alfaradio.ca](http://www.alfaradio.ca)

e-mail: [sales@alfaradio.ca](mailto:sales@alfaradio.ca)

Alfa Radio Ltd.

Home of the  
Alfa Rotator



RAU

Azimuth Rotator



RADIO AMATEURS  
SERVING  
RADIO AMATEURS