

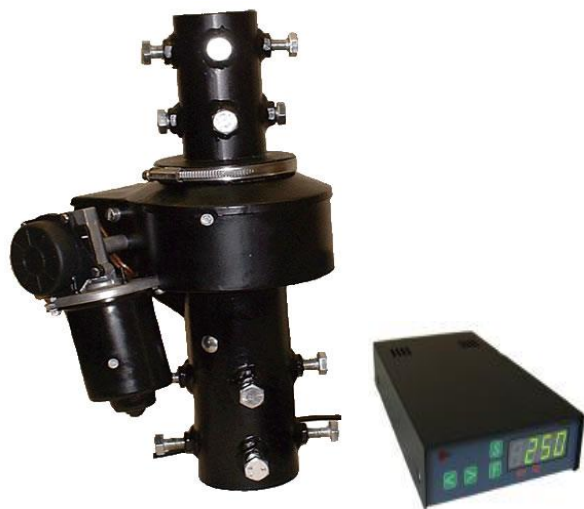
# RAK

## Medium Duty Azimuth Rotator

Complexity is reduced to a minimum by utilizing a simple double worm gear drive

\* 13.8 to 18 volts DC.

\* Position readout is sensed by a reed switch.



Ideal for:

- Most standard beam antennas
- 3 - 4 element Tri-bander
- Large Multi Band Yagis
- Can be run from 13.8 volts
- Portable / Rover or Fixed operation

Works with all Alfa controllers  
Standard Rot1 or MD-01/02

Low Voltage - DC motor, Worm Drive,  
high torque.

Uses inexpensive 4 conductor low voltage cable.

Able to work long runs > 600 m (~2000 ft)

Remote relay operation possible.

Sealed reed switch sensor technology for reliable all weather readout. (no potentiometers to fail)

Rated for medium loads even when mounted outside the tower.

Designed for simple mounting to ~66 mm (2.6") pipe mast - bottom opening and 50 mm (2.0") top opening.

Adapters available to mate with common rotator bolt patterns.



## Rot1Prog Controller

Manual, Automatic, Scanning and Programmable modes.

Digital readout with 1 degree resolution.

Large easy to read soft green LED display.

Computer USB interface ability included.

Low voltage operation from any 13.8 to 18 volt source (typically 2-5 amps).

Easy to interface computer control, open protocol.

Ideal for camping, DX'peditions, VHF/UHF Roving, Portable, Disaster and Field Day operations. Can be zeroed at any position to allow for installation inaccuracy or antenna mount slippage.

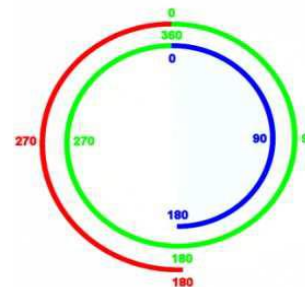
Generous over travel (+/-180) with electronic limits. Total of 720 Degree.

Programmable limits ideal for side mount applications.

Small front panel to simplify stacking several units takes up less valuable space.

Mouse control with 6 user programmable presets. Works with most Logging programs.

Normal 360  
- 180  
or  
+540 from  
North 0  
for  
total of 720



## RAK Specifications

Torque Voltage dependent  
13.8 volts ~158 N m 1400 lb in.  
Rotation speed ~100 sec for 360  
Degree.

18 volts ~203 N m 1800 lb in.  
24 volts ~366 N m 3240 lb in.  
Rotation speed ~50 sec for 360  
Degree.

Braking Torque ~1582 N m (14,000  
in lb)

1 degree positioning resolution-  
Tight tolerances for minimal play  
Double worm drive  
Quiet & powerful self brake action  
Heavy duty bearings

Pipe to pipe mount

Overall height ~400 mm (15.6 in)

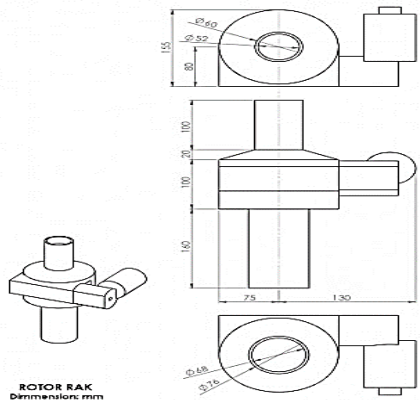
Top pipe opening ~50 mm (2.0 in)

Bottom pipe opening ~66 mm (2.6 in)

Centre to widest point is ~203 mm  
(8 in)

Coax can pass through centre of  
rotator.

Real steel housing & final gear  
drive



Owned & Operated  
by Amateur Radio Operators

We Are, We Know,  
We do Communication  
World Wide Without Wires!



Alfa Radio Ltd. 11211 154 Street  
Edmonton, AB. Canada T5M 1X8  
Phone: 780-466-5779  
[www.alfaradio.ca](http://www.alfaradio.ca)  
e-mail: [sales@alfaradio.ca](mailto:sales@alfaradio.ca)

Alfa Radio Ltd.

Home of the  
Alfa Rotator

RAK  
Azimuth Rotator



RADIO AMATEURS  
SERVING  
RADIO AMATEURS